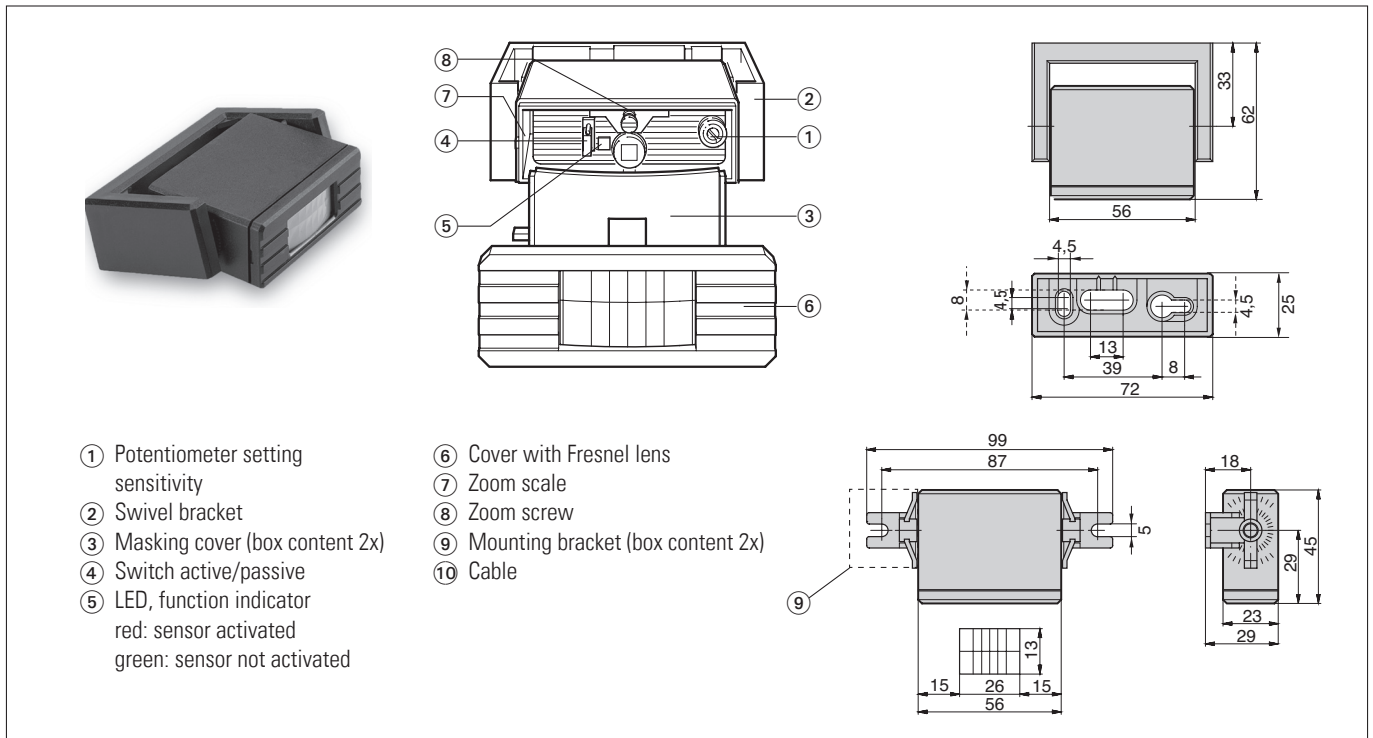


# PIR 20

Passive Infrared Motion Detector

## Translation of the original operating instructions



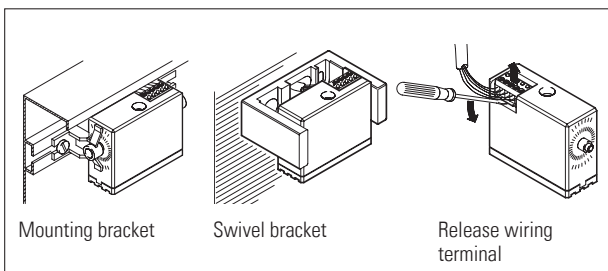
- ① Potentiometer setting sensitivity
- ② Swivel bracket
- ③ Masking cover (box content 2x)
- ④ Switch active/passive
- ⑤ LED, function indicator  
red: sensor activated  
green: sensor not activated
- ⑥ Cover with Fresnel lens
- ⑦ Zoom scale
- ⑧ Zoom screw
- ⑨ Mounting bracket (box content 2x)
- ⑩ Cable

### 1 Safety instructions



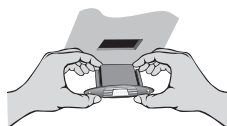
Observe the national and international regulations on door safety. Only trained, qualified personnel may mount and start up the detector. The unit may only be opened and repaired by the manufacturer. The unit may only be operated from a safety extra-low voltage (SELV) system with safe electrical separation. Always consider the safety functions of your application as a whole, never just in relation to one individual section of the system. The installer is responsible for carrying out a risk assessment and installing the detector and the door system correctly. Avoid touching any electronic components. The door drive and transom profile must be grounded correctly.

### 2 Mounting

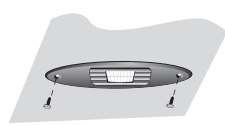


#### Ceiling mounting frame (Article No. 212822)

Dimensions ceiling mounting frame:  
width 110 mm, height 40 mm, depth 37 mm, lens area 14 x 27 mm

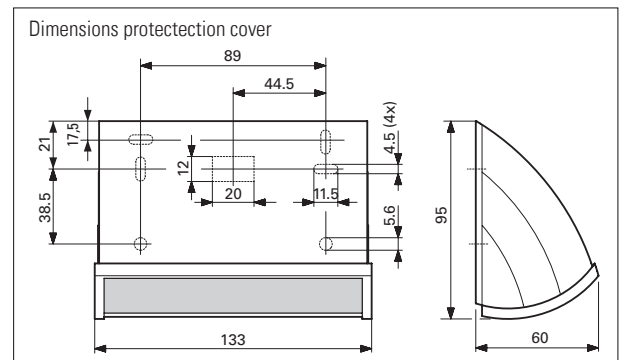
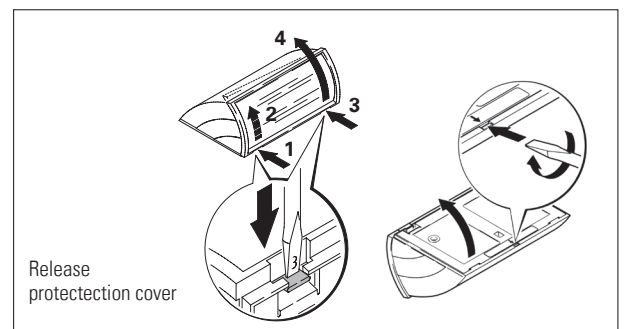
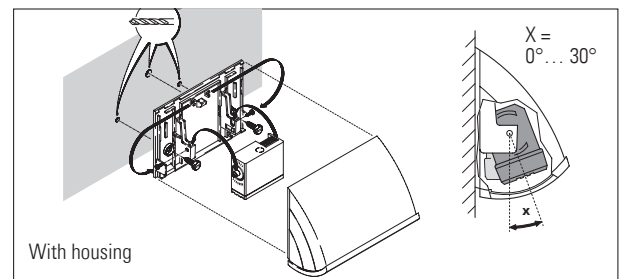


Cut out a hole for the frame in the ceiling (dimensions: 75 x 26 mm). Insert the sensor attached into the designated mounting area.

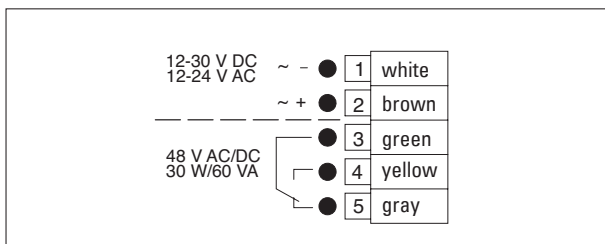


**Box content**  
2 screws (2.9 x 6.5 mm) for bracket mounting  
2 screws (3.9 x 19 mm) for ceiling mounting

#### Protection cover (Article No. 212827)

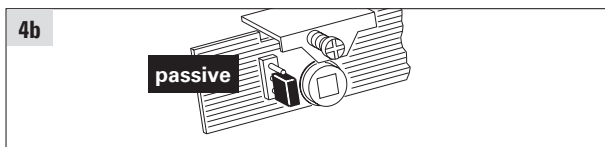
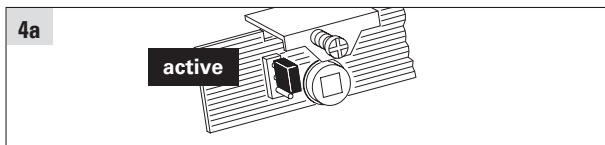


### 3 Wiring diagram



Relay shown unpowered  
 Wire cross section = 0.25 mm<sup>2</sup>

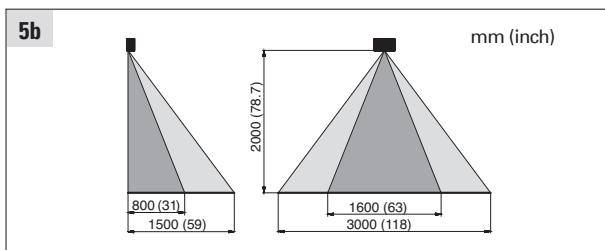
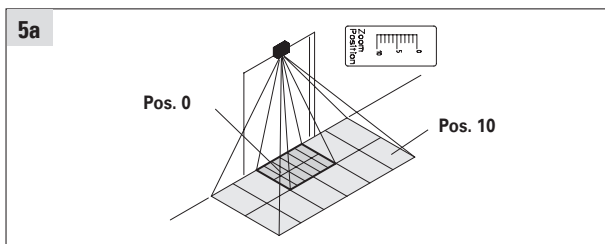
### 4 Settings



**Fig. 4a** Active (normally open n.o.), relay is activated when detection occurs.  
**Fig. 4b** Passive (normally closed n.c.), relay is deactivated when detection occurs.  
**Fig. 4c** Sensitivity

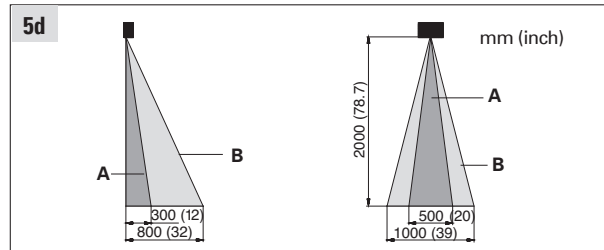
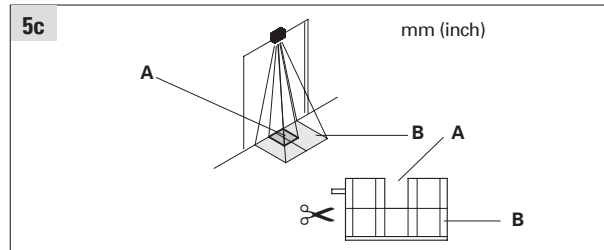
### 5 Detection zone

Zoom



**Fig. 5a and 5b**  
 – Detection zone shown without masking cover (B).  
 – Choose the smallest possible zoom range.

### Masking cover



**Fig. 5c and 5d**  
 Detection zones shown with zoom Position 0.

### 6 Technical data

Operating voltage	12 – 30 VDC –0% / +15% 12 – 24 VAC –0% / +15%
Power cons.	approx. 15 mA
Temp. range	–40° C ... 60° C
Installation height	max. 3.5 m
Field size	max. 3 x 1.5 m
Detection speed	min. 0.1 m/s
Fall-delay time	0.5 s
Protection class	IP52
Relay contact load	max. 1 A max. 48 VAC / 48 VDC max. 30 W / 60 VA

### 7 EU Declaration of Conformity

CE See attachment

### 8 WEEE

Devices with this symbol must be treated separately during disposal. This must be done in accordance with the laws of the respective countries for environmentally sound disposal, processing and recycling of electrical and electronic equipment.

### 9 Contact

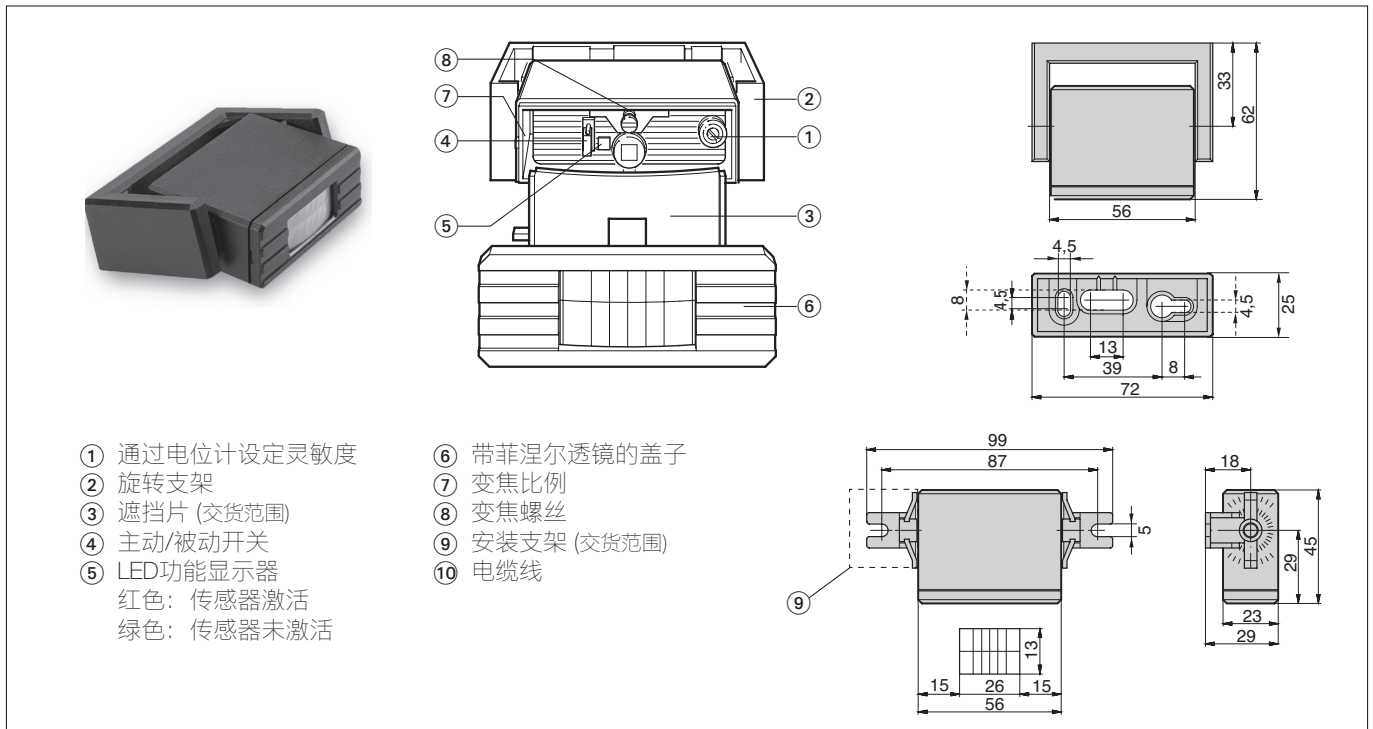
**BBC Bircher Smart Access**, BBC Bircher AG  
 Wiesengasse 20, CH-8222 Beringen, [www.bircher.com](http://www.bircher.com)

Designed in Switzerland / Made in China

# PIR 20

被动红外线运动传感器

## 操作说明书中文版

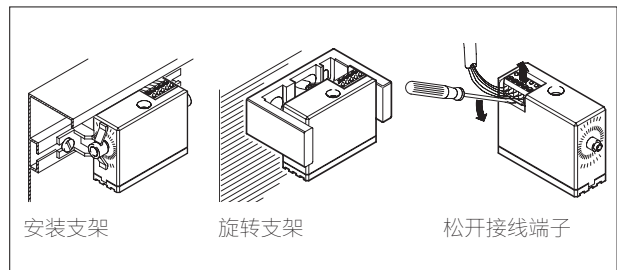


### 1 安全说明

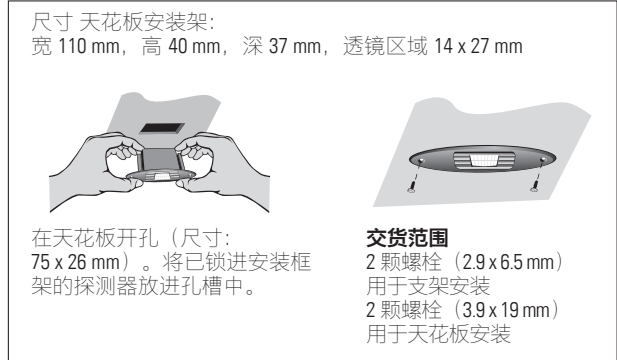


遵循与门安全有关的国家和国际法规。只能由经过培训的合格人员才可以安装和启动探测器。该装置只能由 制造商打开和修理。仅限使用具有安全电气隔离的安全特低电压 (SELV) 系统操作该装置。时刻注重整体的安全功能, 切勿只关注系统的某一部分。安装员负责进行风险评估及正确安装探测器与自动门系统。避免碰触任何电子元件。必须将门驱动装置和横档正确接地。

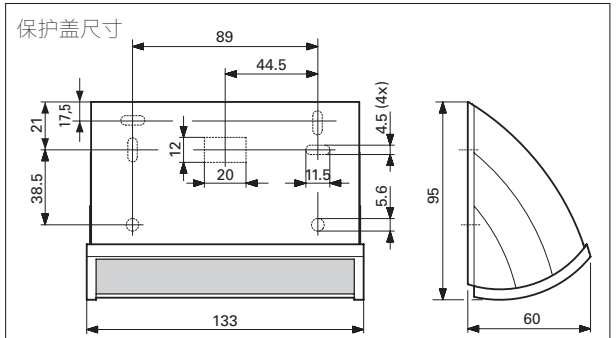
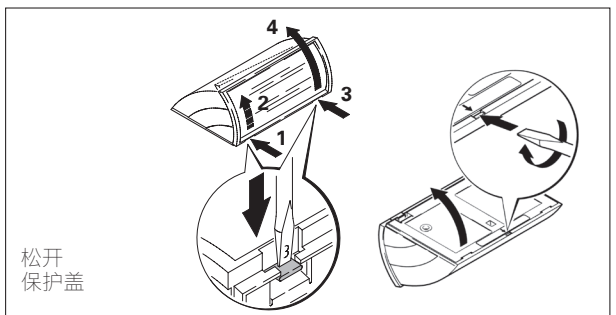
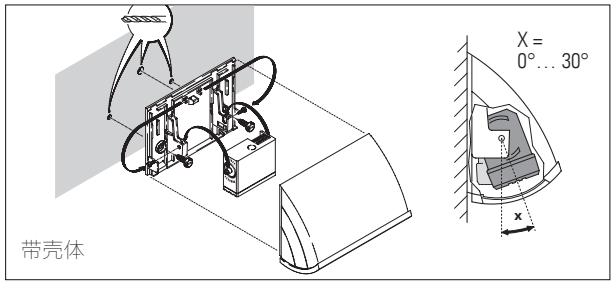
### 2 安装



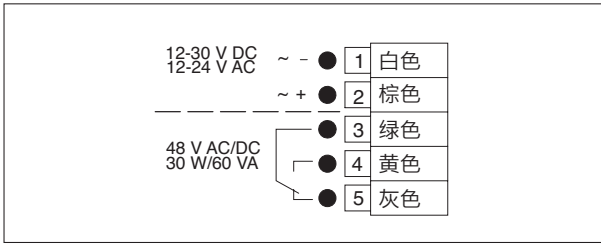
#### 天花板安装架 (货号 212822)



#### 保护盖 (货号 212827)

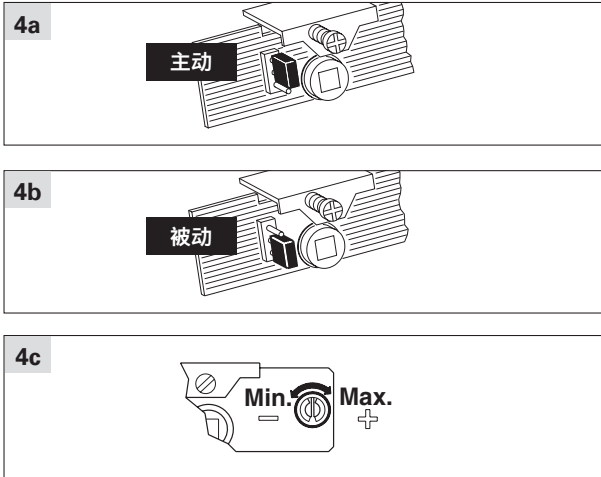


### 3 配线图



继电器未带电显示  
 线芯截面 = 0.25mm<sup>2</sup>

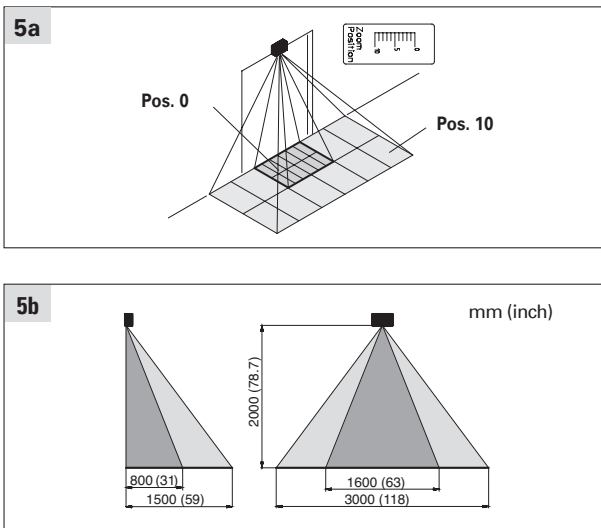
### 4 设置



- 图 4a 主动模式（常开），当有探测时，继电器得电有输出。  
 图 4b 被动模式（常闭），当有探测时，继电器失电，无输出。  
 图 4c 灵敏度设定

### 5 检测区域

#### zoom螺丝调节



- 图 5a 和 5b  
 - 图示检测区域是不带遮挡片的。  
 - 选择最小的zoom位置时的检测区域。

### 遮挡片

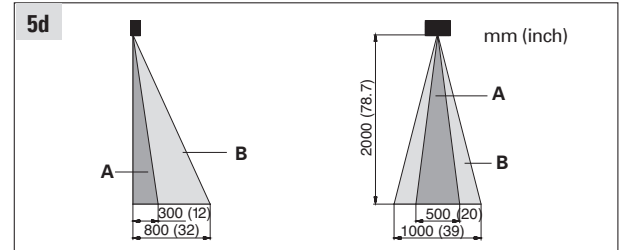
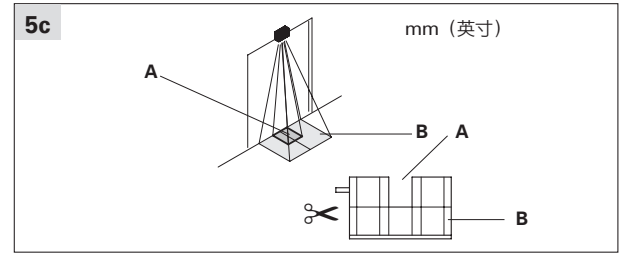


图 5c 和 5d  
 图示区域为zoom螺丝在0位置的检测区域

### 6 技术数据

工作电压	12 – 30 VDC -0% / +15% 12 – 24 VAC -0% / +15%
功率消耗	约 15 mA
温度范围	-40 °C ...60 °C
最大安装高度	3.5 m
最大探测范围尺寸	3 x 1.5 m
最低探测速度	0.1 m/s
落差延迟时间	0.5 秒
防护等级	IP52
继电器触点负载	最大合闸电流 1 A 最大接触电压 48 VAC / 48 VDC 最大开关容量 30 W / 60 VA

### 7 EU符合性声明

CE 参见附件

### 8 WEEE

在处置过程中，带有此符号的设备必须单独处理。必须按照相应国家有关电子电气设备环境无害化报废、处理和回收的相关法律处理。

### 9 联系

BBC Bircher Smart Access, BBC Bircher AG  
 Wiesengasse 20, CH-8222 Beringen, www.bircher.com

Designed in Switzerland / Made in China